

Specification sheet LX 798

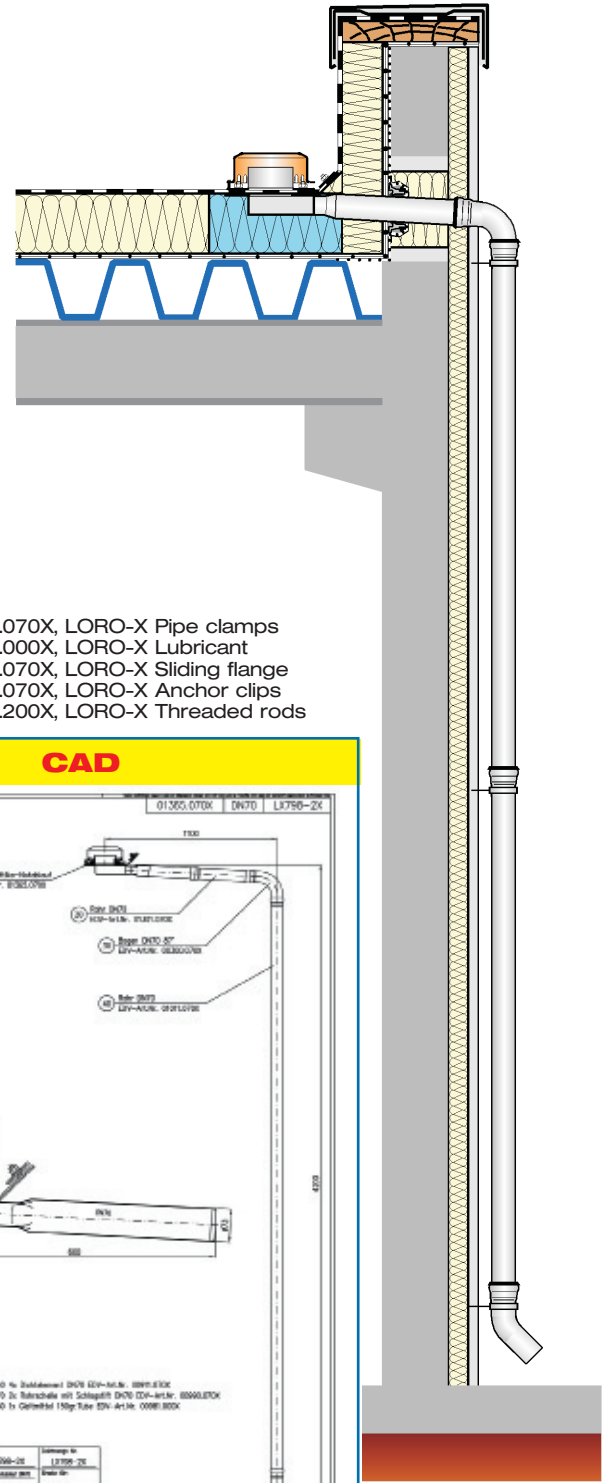
**Parapet roof drainage systems
Series 89 RAINSTAR®
with roof penetration of 55 mm**

Emergency flow

Siphonic flow

Silent Power

Discharge rate:	17,6 l/sec
Water height:	75 mm
Roof penetration:	55 mm
Diameter:	DN 70
LX-Number:	LX 798
Weir height:	55 mm
Drain:	not ventilated
Downpipe:	not ventilated
Downpipes height:	ab 4,2 m
Drainage:	on floor
Flange form:	Klemmfansch



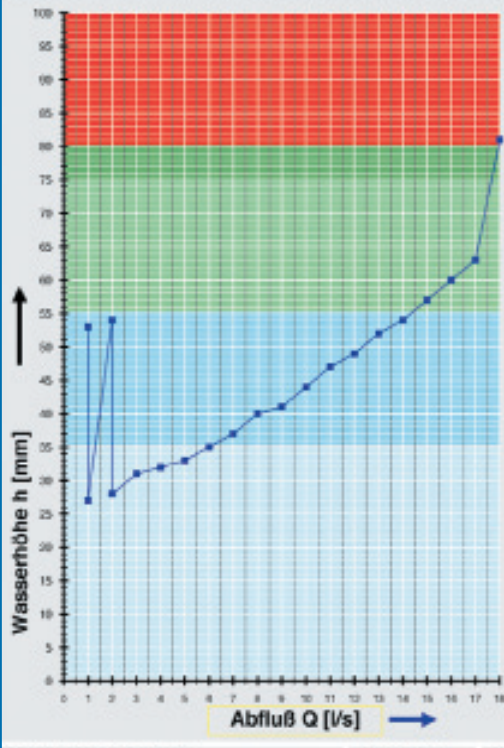
LX 798 Piece list

1 x Art.-No. choose drain on page two!

- 1 x Art.-No. 01301.070X, LORO-X Pipe with one socket
- 1 x Art.-No. 00350.070X, LORO-X Bend
- 1 x Art.-No. 01011.070X, LORO-X Pipe with one socket
- 1 x Art.-No. 00320.070X, LORO-X Bend
- 4 x Art.-No. 00911.070X, LORO-X Sealing elements

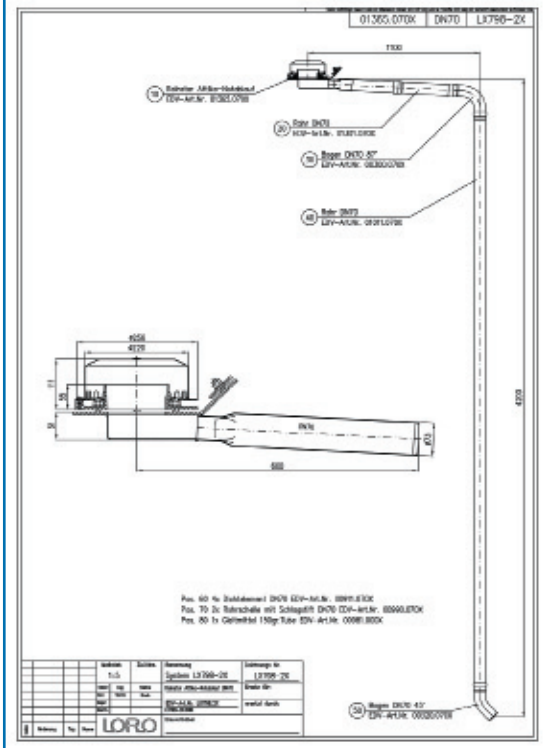
- 3 x Art.-No. 00973.070X, LORO-X Pipe clamps
- 1 x Art.-No. 00986.000X, LORO-X Lubricant
- 1 x Art.-No. 13235.070X, LORO-X Sliding flange
- 4 x Art.-No. 00806.070X, LORO-X Anchor clips
- 3 x Art.-No. 09603.200X, LORO-X Threaded rods

hQ - Head-Discharge curve



Systempower

CAD



Systemshape


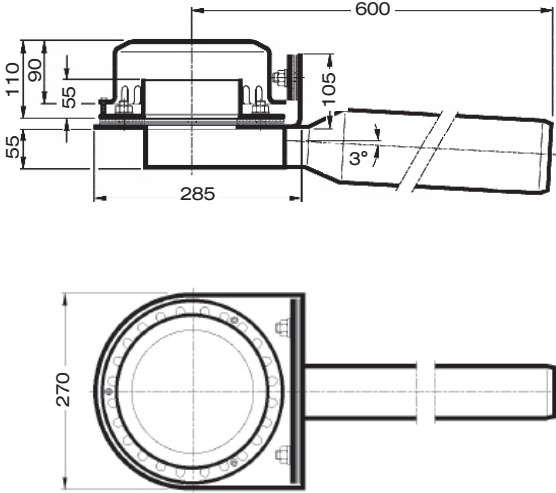
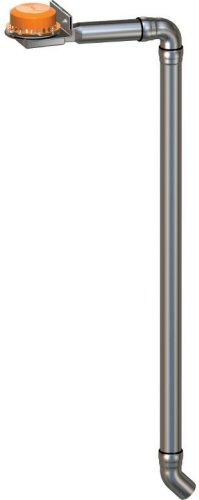
Water height	mm	5	10	15	20	25	30	35	40	45	50	55	60	65	70	75
Discharge	l/sec						2,6	6,0	8,0	10,2	12,2	14,2	16,0	17,1	17,3	17,6
Silent Power																

Choose drain for piece list on page one!

DN 70


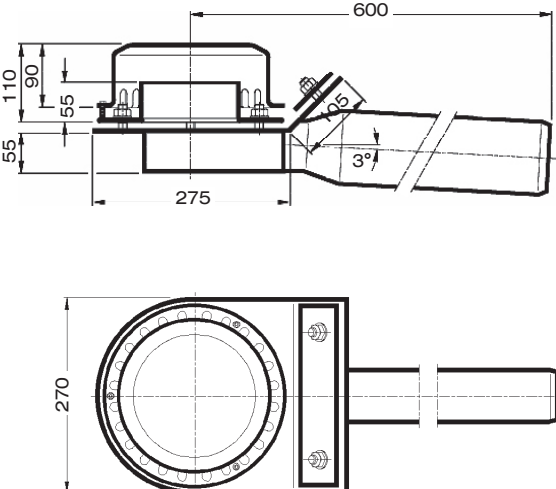
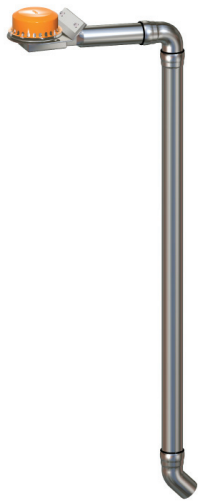
LX798-1X
 Drain Art.-No. 01367.070X
 Weight: 8,4 kg

Series 89
with roof penetration of 55 mm
 clamping flange 90°
 for plastic roofing sheets

LX798-2X
 Drain Art.-No. 01365.070X
 Weight: 8,2 kg

Series 89
with roof penetration of 55 mm
 clamping flange 45°
 for bituminous roofing sheets

Please note:

For drainage systems with siphonic flow it is vital that only LORO-X pipes and fittings in the combination as indicated are used. Mixture or exchange of system parts may result in lower discharge capacities! The height of the downpipe must be a min. 4.2m for the indicated capacity to be obtained. If roof drain and downpipe are fitted by different crews, then do follow the system setup acc. to the LX-data sheet at www.loro-x.com

Heat tracing: Lorowerk recommends to check all drains and pipes with regard to their frost-sensibility. Where necessary, these parts should be upgraded with heat tracing.